

This document contains information proprietary to Magnum Fitness Systems. It is submitted in confidence and is to be used solely for the purpose for which it is furnished. This document and such information is not to be reproduced, transmitted, or used in whole or part without written authorization.

TOLERANCES: + 0.000"
- 1/16"

MAGNUM FITNESS SYSTEMS
2201 12th. Avenue
S. Milwaukee, WI, 53172

UNLESS OTHERWISE SPECIFIED
DIMENSIONS ARE IN INCHES.

TITLE: 3021 - Lat Pulldown

DRAWN BY:
R. Degenhardt

DATE:
01/20/05

PART NO.
xxx-xxx

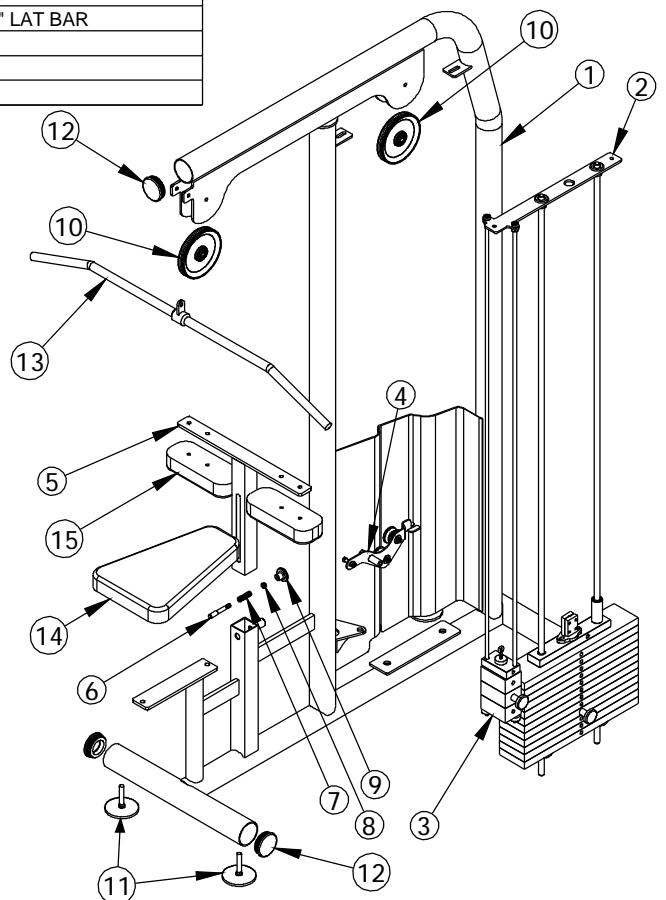
JOB NO.
XXXXXXXX

REV:
1

FILE LOCATION: C:\Cad Drawings\Solid Works\

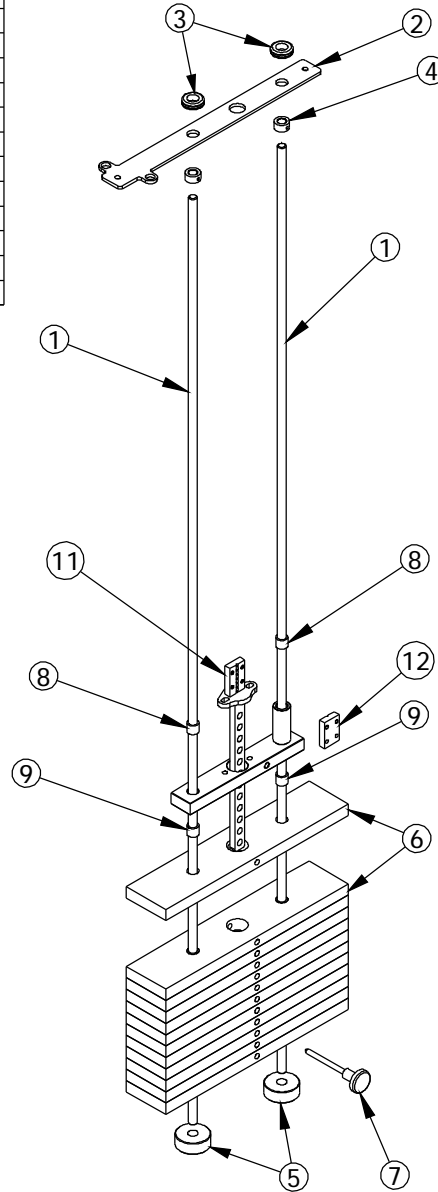
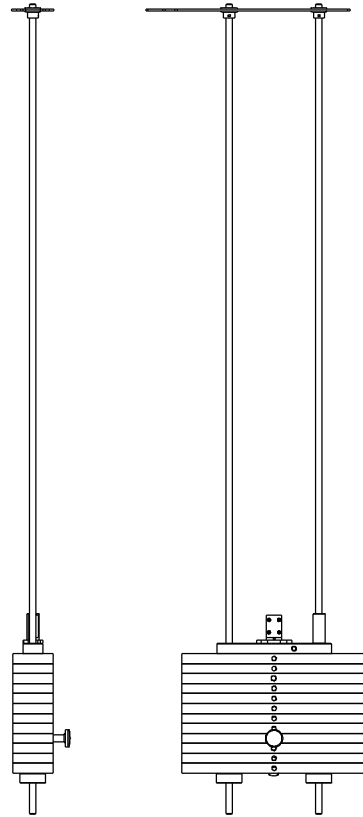
1 OF 1

ITEM NO.	QTY.	PART NO.	DESCRIPTION
1	1	101-297	3021 MAIN FRAME
2	1	101-371	WEIGHT STACK ASSEMBLY
3	1	101-372	MINI WEIGHT STACK
4	1	101-278	3000 SERIES BANANA (LEFT)
5	1	339-701	KNEE BRACE
6	1	855-302	SPRING PIN w/ 5/32"
7	1	852-807	SPRING
8	1	817-306	3/8"-16 JAM NUT
9	1	852-207	GOLD PULL KNOB
10	2	853-313	6" CABLE PULLEY w/ NARROW BUSHING
11	4	833-129	4" FOOT (LONG)
12	5	850-045	3" ROUND END CAP
13	1	805-408	HARD CHROME 48" LAT BAR
14	1	900-038	UPHOLSTERY
15	2	900-061	UPHOLSTERY
16	1	836-260	xxx



<p>This document contains information proprietary to Magnum Fitness Systems. It is submitted in confidence and is to be used solely for the purpose for which it is furnished. This document and such information is not to be reproduced, transmitted, or used in whole or part without written authorization.</p>	<p>TOLERANCES: + 0.000" - 1/16"</p>	<p>MAGNUM FITNESS SYSTEMS 2201 12th. Avenue S. Milwaukee, WI, 53172</p>		
	<p>UNLESS OTHERWISE SPECIFIED DIMENSIONS ARE IN INCHES.</p>	<p>TITLE: 3021 - Lat Pulldown</p>		
<p>DRAWN BY: R. Degenhardt</p>	<p>DATE: 01/20/05</p>	<p>PART NO. xxx-xxx</p>	<p>JOB NO. XXXXXXXX</p>	<p>REV: 1</p>
<p>FILE LOCATION: C:\Cad Drawings\Solid Works\</p>				<p>1 OF 1</p>

ITEM NO.	QTY.	PART NO.	DESCRIPTION
1	2	200-450	5/8" GUIDE ROD - 81 1/4"
2	1	500-963	1/4" PLASMA
3	2	858-005	5/8" RUBBER GROMMET
4	2	852-610	5/8" SET COLLAR
5	2	838-211	ROUND WEIGHT STACK BUMPER
6	12	300-410	1" x 4" F.S. - 18 1/2"
7	1	852-007	SELECTOR PIN w/ 6 1/2" CORD
8	2	849-001	7/8"OD x 5/8"ID x 3/4" BUSHING
9	24	649-002	7/8"OD x .640"ID x 3/4" BUSHING
10	1	101-129	TOP WEIGHT PLATE
11	1	101-277	CENTER STICK - 10
12	1	339-714	1/2" x 1 1/2" F.S. - 2 1/4"



This document contains information proprietary to Magnum Fitness Systems. It is submitted in confidence and is to be used solely for the purpose for which it is furnished. This document and such information is not to be reproduced, transmitted, or used in whole or part without written authorization.

TOLERANCES: + 0.000"
- 1/16"

UNLESS OTHERWISE SPECIFIED
DIMENSIONS ARE IN INCHES.

DRAWN BY:
RAD

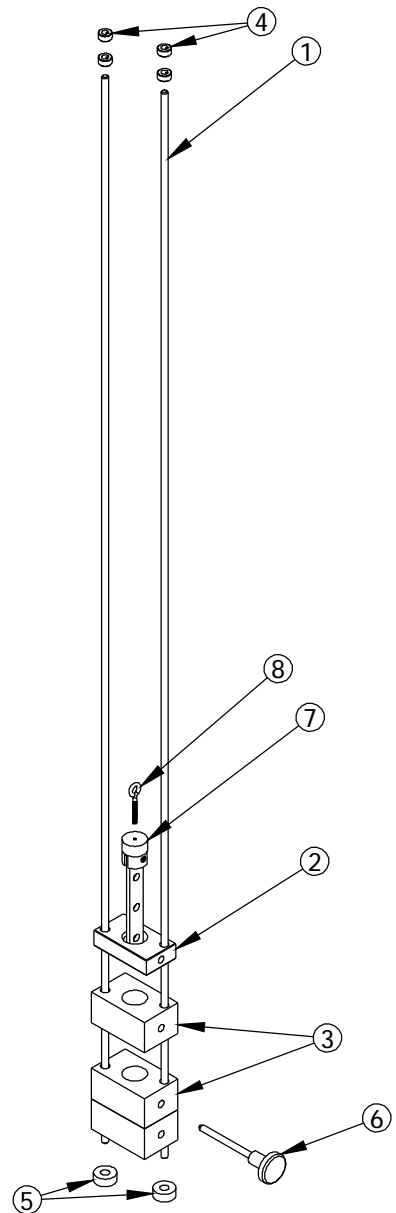
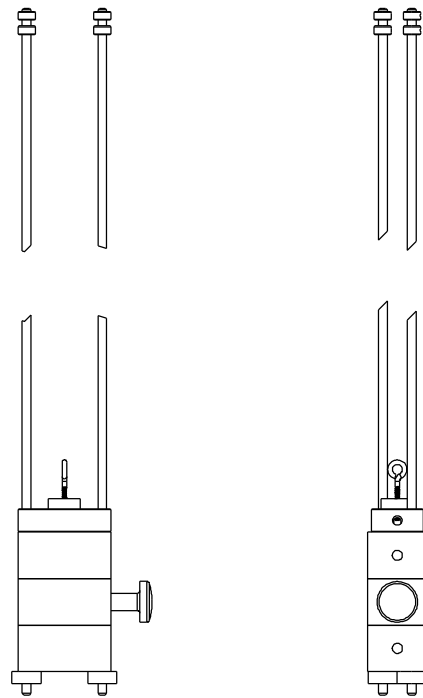
MAGNUM FITNESS SYSTEMS
2201 12th. Avenue
S. Milwaukee, WI, 53172

TITLE: "E" SERIES WEIGHT STACK
3021

DATE: 01/19/05	PART NO. 101-371	JOB NO. XXXXXXXXX	REV: 1
-------------------	---------------------	----------------------	-----------

FILE LOCATION: C:\Cad Drawings\Solid Works\ 1 OF 1

ITEM NO.	QTY.	PART NO.	DESCRIPTION
1	2	200-451	3/8" GUIDE ROD - 70 1/8"
2	1	807-001	1" x 2 1/4" F.S. - 4"
3	3	300-413	2" x 4" F.S. - 2 9/16"
4	4	852-607	3/8" SHAFT COLLAR
5	2	858-251	1/2" RUBBER BUMPER
6	1	852-008	SELECTOR PIN w/ 4" CORD
7	1	101-053	MINI WEIGHT STACK CENTER STICK
8	1	818-899	3/8" EYE BOLT - 2 1/2"



This document contains information proprietary to Magnum Fitness Systems. It is submitted in confidence and is to be used solely for the purpose for which it is furnished. This document and such information is not to be reproduced, transmitted, or used in whole or part without written authorization.

TOLERANCES: + 0.000"
- 1/16"

UNLESS OTHERWISE SPECIFIED
DIMENSIONS ARE IN INCHES.

DRAWN BY:
RAD

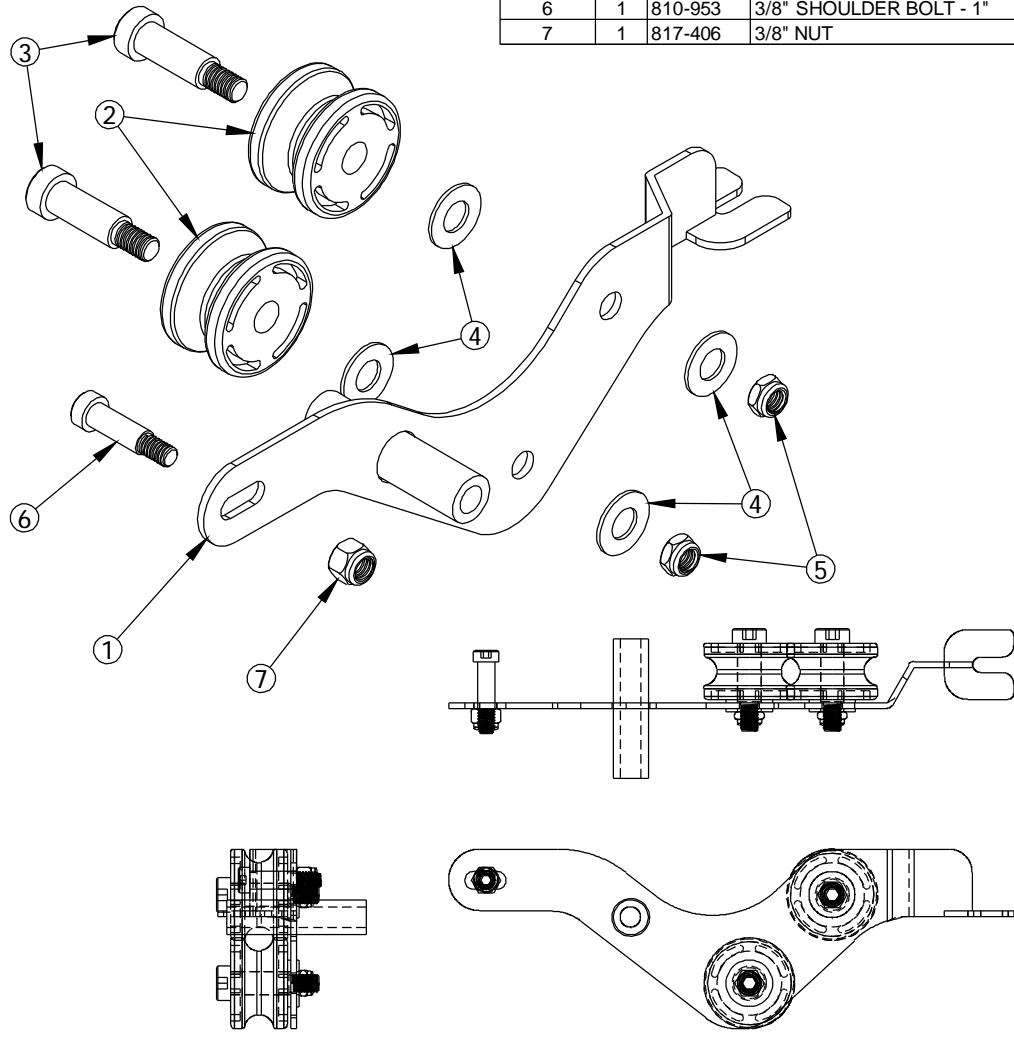
MAGNUM FITNESS SYSTEMS
2201 12th. Avenue
S. Milwaukee, WI, 53172

TITLE: "E" SERIES MINI STACK

DATE: 01/19/05	PART NO. 101-372	JOB NO. XXXXXXXX	REV: 1
-------------------	---------------------	---------------------	-----------

FILE LOCATION: C:\Cad Drawings\Solid Works\ 1 OF 1

ITEM NO.	QTY.	PART NO.	DESCRIPTION
1	1	101-276	BANANA SUB-ASSEMBLY
2	2	853-314	ROLLER w/ BEARING
3	2	810-954	1/2" x 1 1/4" SHOULDER BOLT
4	4	818-008	1/2" FLAT WASHER
5	2	817-306	3/8"-16 JAM NUT
6	1	810-953	3/8" SHOULDER BOLT - 1"
7	1	817-406	3/8" NUT



This document contains information proprietary to Magnum Fitness Systems. It is submitted in confidence and is to be used solely for the purpose for which it is furnished. This document and such information is not to be reproduced, transmitted, or used in whole or part without written authorization.

TOLERANCES: + 0.000"
- 1/16"

UNLESS OTHERWISE SPECIFIED
DIMENSIONS ARE IN INCHES.

DRAWN BY:
RAD

MAGNUM FITNESS SYSTEMS
2201 12th. Avenue
S. Milwaukee, WI, 53172

TITLE: 3000 SERIES BANANA (LEFT)

DATE: 11/05/04	PART NO. 101-278	JOB NO. XXXXXXXX	REV: 1
-------------------	---------------------	---------------------	-----------

FILE LOCATION: C:\Cad Drawings\Solid Works\ 1 OF 1